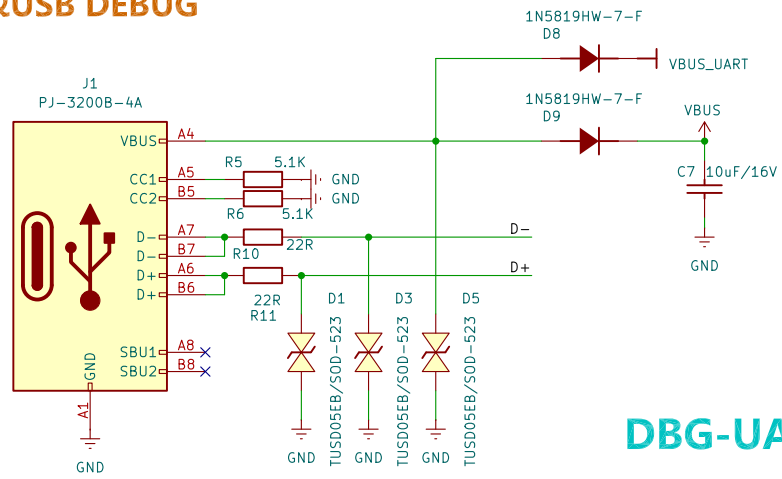
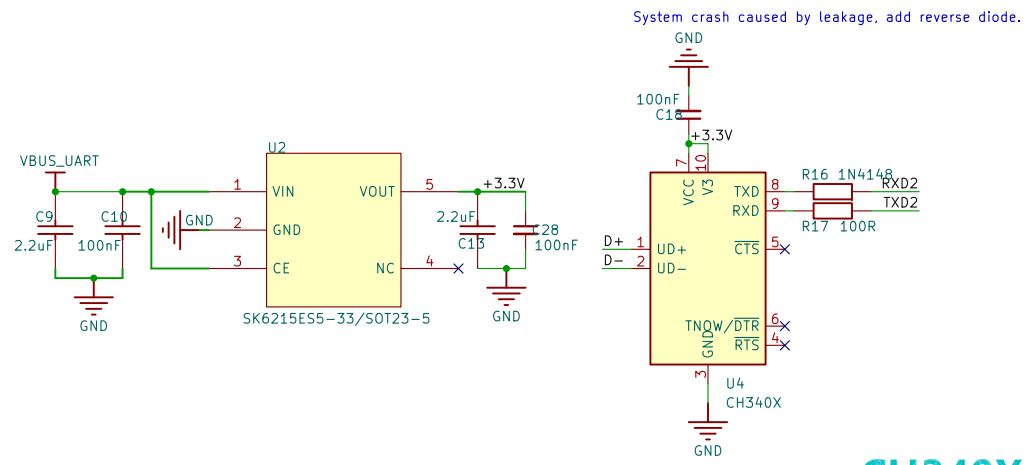


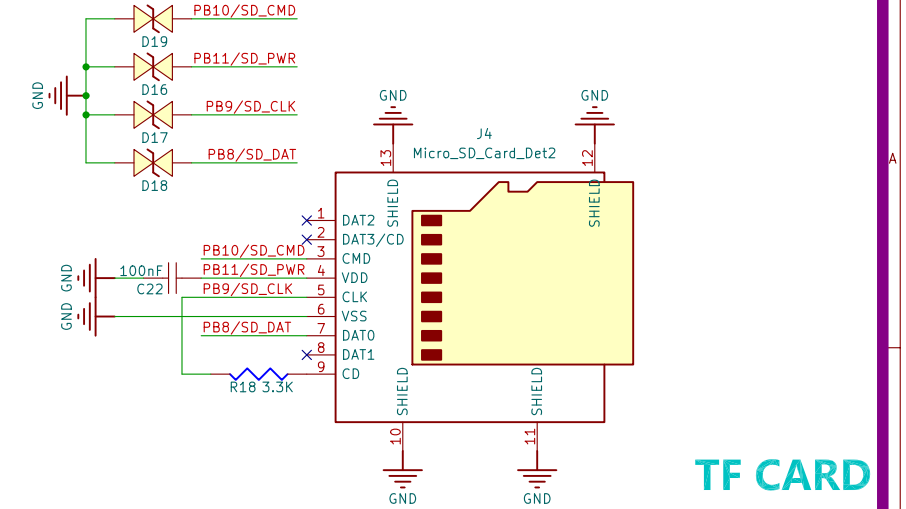
POWER&USB DEBUG



DBG-UART

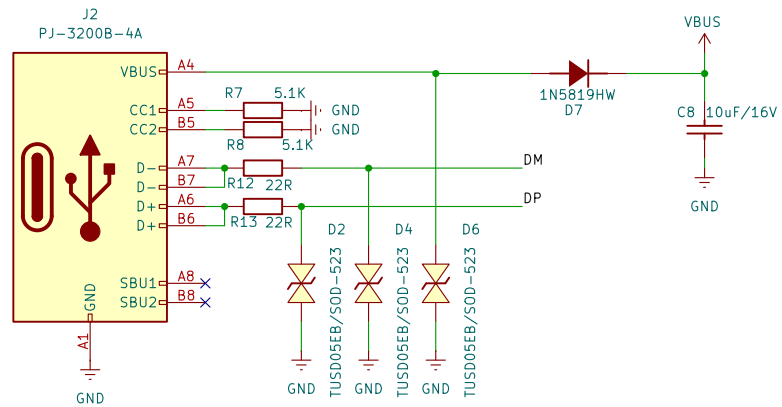


CH340X

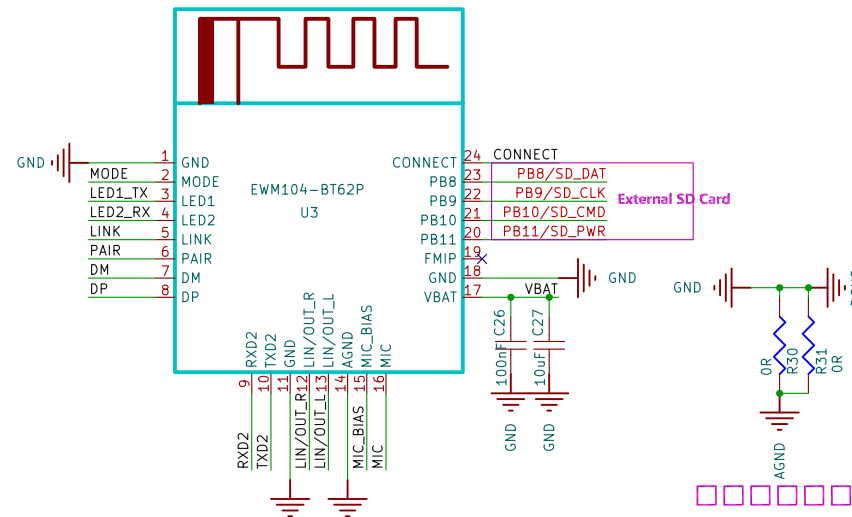


TF CARD

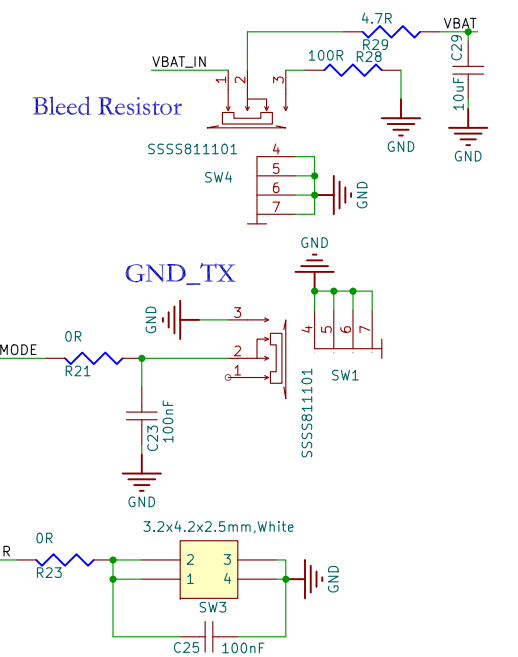
POWER&USB AUDIO



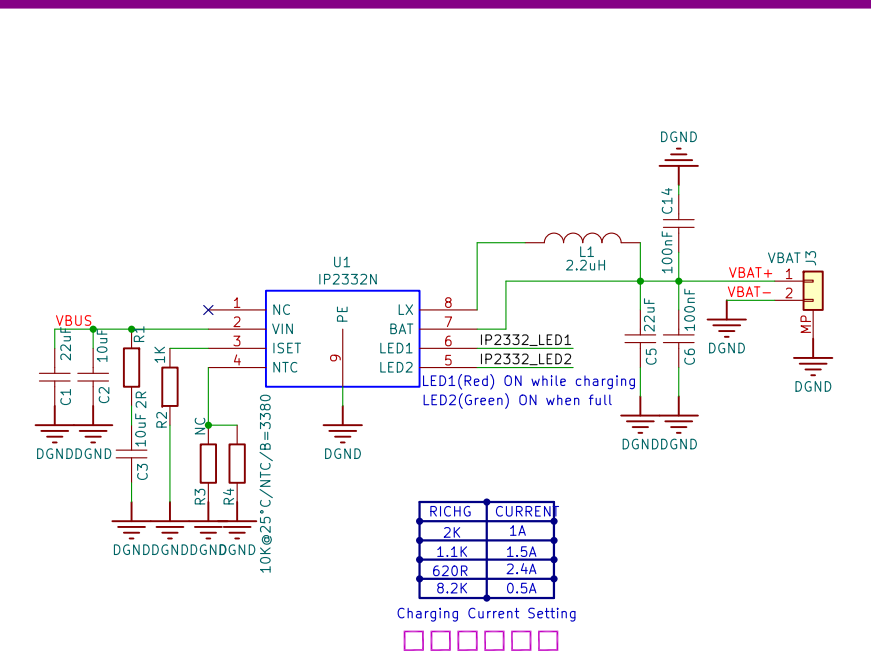
AUDIO



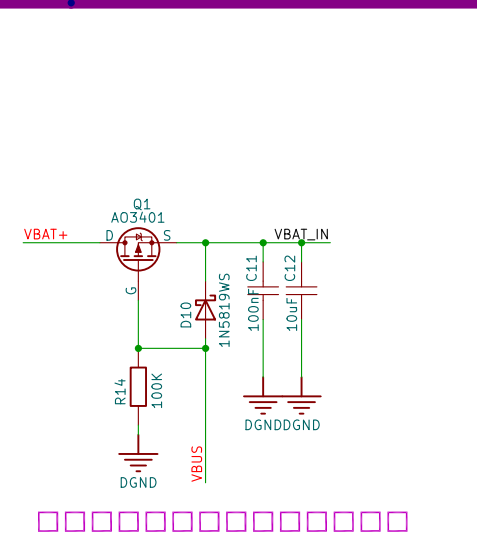
BLE-MOD



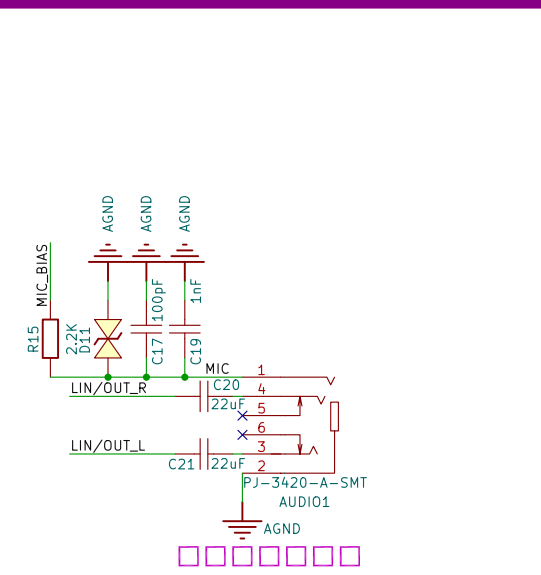
KEY



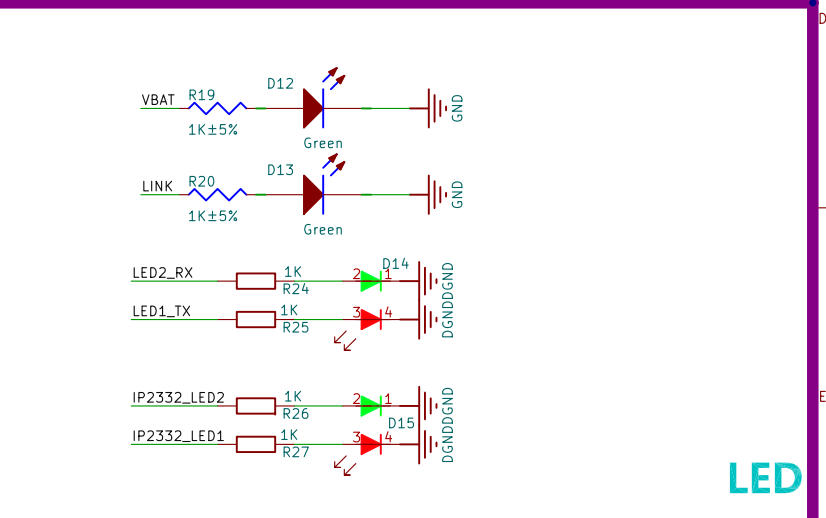
CHG



PWR-SW



AUDIO-IO



LED

EWT104-BT62SP
 EBYTE
 Sheet: /
 File: 11071-V1.0.kicad_sch
Title: EWT104-BT62SP
 Size: A3 Date: 2026-01-29 Rev: V1.0
 KiCad E.D.A. 9.0.1 Id: #/1