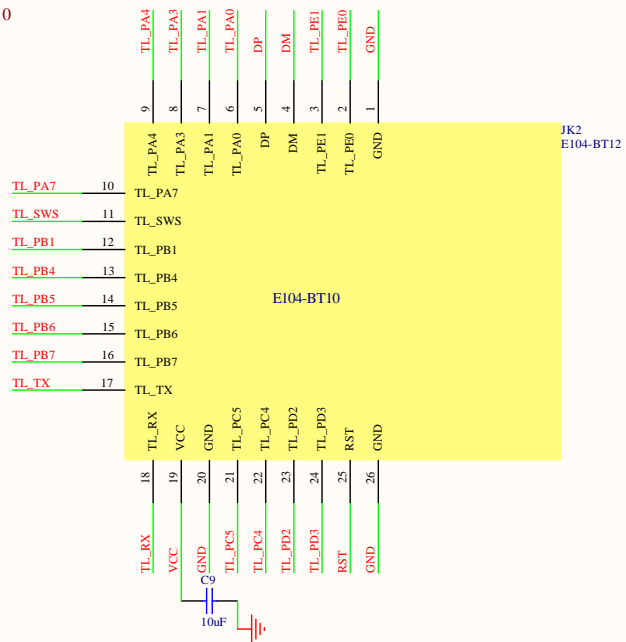
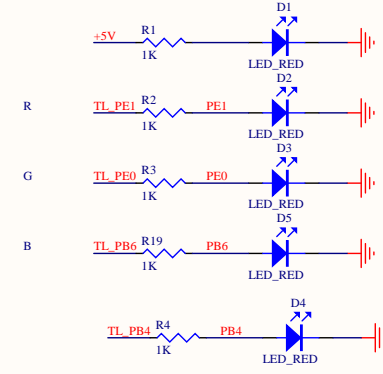


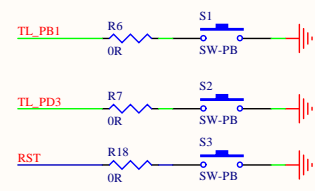
E104-BT10



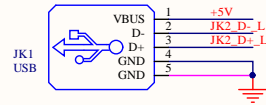
LED



BUTTON



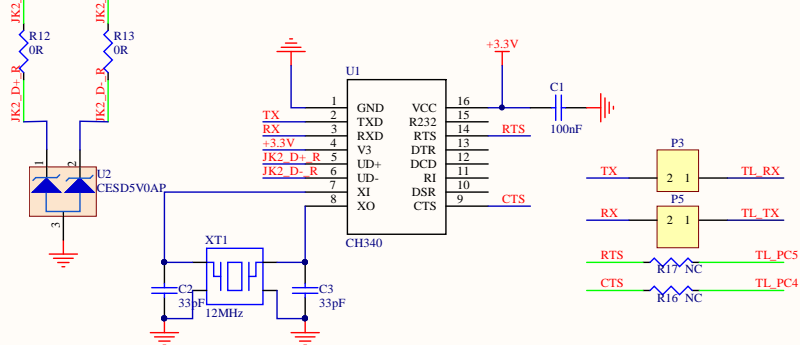
USB(USB)



USB

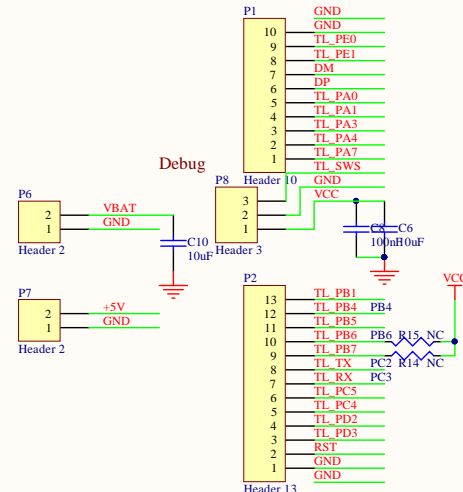


USB TTL

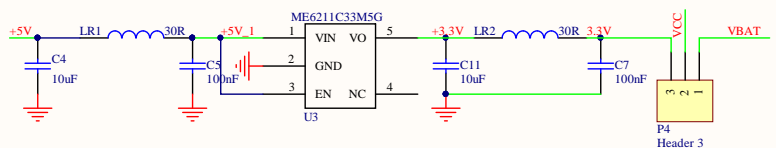


I2C GPIO

PB6/PB7



IC



Title			
Size	Number	Revision	
A3			
Date:	2022-06-11	Sheet	of
File:	F:\2021\110449-1-V1.0-SCH.SchDoc	Drawn By:	